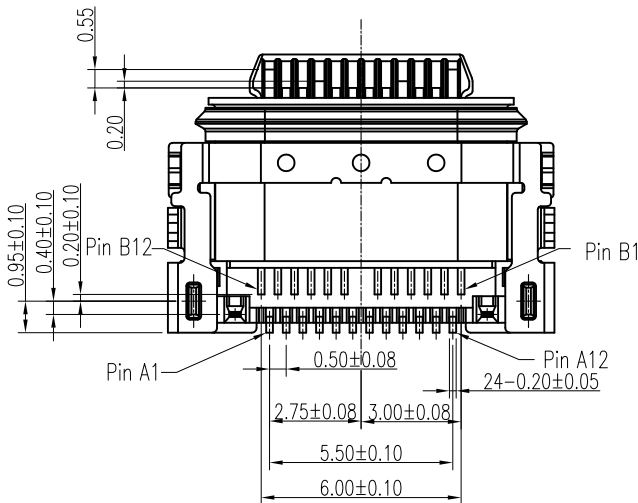
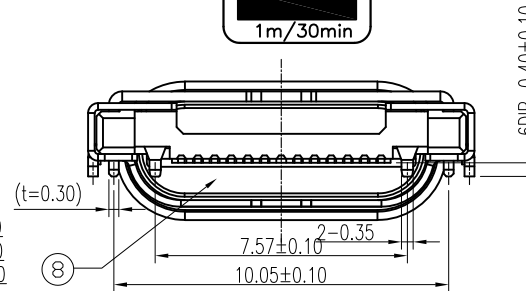
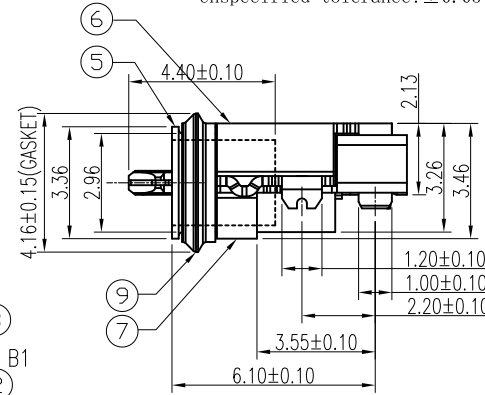
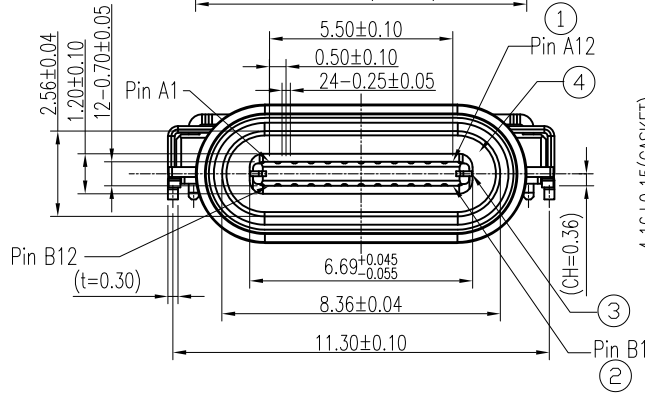
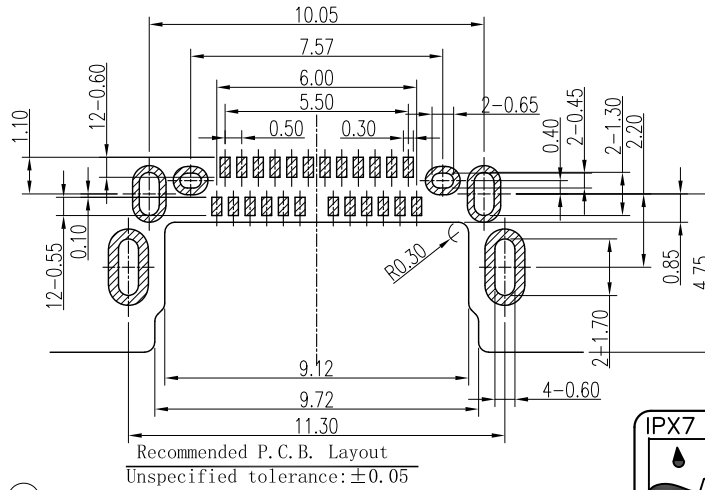
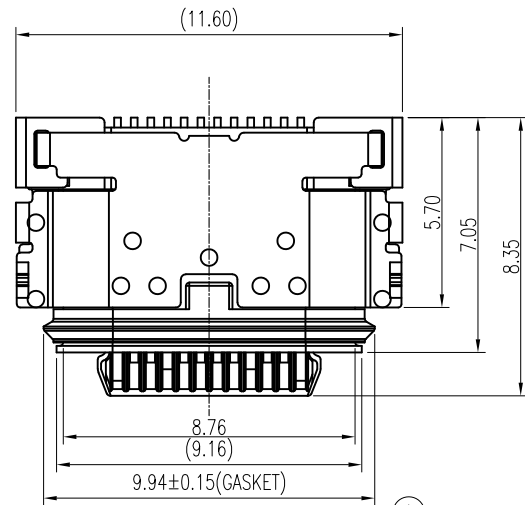
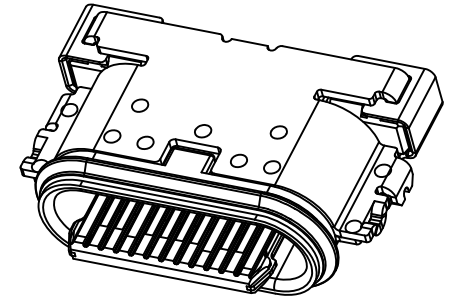
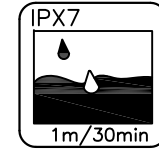


REV	EC No.	DESCRIPTION	Symbol	DATE
A	/	new release	/	Jul. 09, 2022

NOTES:
SPECIFICATION:

1. CURRENT RATING: 5.0A MAX
2. TEMPERATURE RANGE: -30 °C ~ 85 °C
3. CONTACT RESISTANCE: 40 MILLIONHM MAX
4. INSULATION RESISTANCE: 100 MEGOHMS MIN.
5. DIELECTRIC WITHSTANDING VOLTAGE:100 VAC
6. INSERTION FORCE : 5N~20N
7. UNMATING FORCE: 8N~20N
8. DURABILITY: 10,000 CYCLES



Pin	Name	Pin	Name
A1	GND	B12	GND
A2	SSTXp1	B11	SSRXp1
A3	SSTXn1	B10	SSRXn1
A4	VBUS	B9	VBUS
A5	CC1	B8	SBU2
A6	Dp1	B7	Dn2
A7	Dn1	B6	Dp2
A8	SBU1	B5	CC2
A9	VBUS	B4	VBUS
A10	SSRXn2	B3	SSTXn2
A11	SSRXp2	B2	SSTXp2
A12	GND	B1	GND

NO.	DESCRIPTION	MATERIAL	REMARKS	QTY
9	GASKEL	SILICONE	-	1PCS
8	POTTING	SILICONE	-	1PCS
7	COVER SHELL-LOWER	STAINLESS STEEL	Ni Plated	1PCS
6	COVER SHELL-UPPER	STAINLESS STEEL	Ni Plated	1PCS
5	SHELL	STAINLESS STEEL	Ni Plated	1PCS
4	INSULATOR	HIGH TEMPERATURE PLASTIC	BLACK	1PCS
3	MID PLATE	STAINLESS STEEL	Ni Plated	1PCS
2	CONTACT-B	COPPER ALLOY	Au/Ni Plated	1SET
1	CONTACT-A	COPPER ALLOY	Au/Ni Plated	1SET

For more information, please feel free to contact Neal. His email is :connmold@foxmail.com Tel:18922965797

WWW.connmold.COM		<h1>ConnMold</h1>	
DIMENSION UNITS	TOLERANCE		
MM	X±0.50 .XX±0.25 .X±0.35 .XXX±0.15	PART NAME USB TYPE C 24PIN IP67 H=2.13MM L=8.35MM Sinking Type	
DRWN:Robert	Jul. 09, 2022	PART NUMBER	
CHK'D:Yuri	Jul. 09, 2022	CMWUC661030	REVISION
APPR:Lee	Jul. 09, 2022		A
THIRD ANGLE PROJECTION	CUSTOMER P/N	CUSTOMER	SHEET NUMBER
	/	GENERAL MARKET	1 OF 2