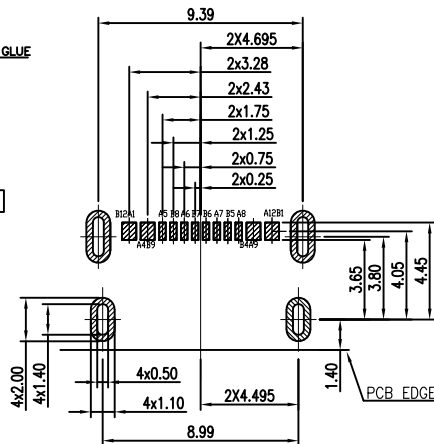
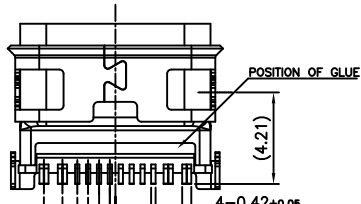
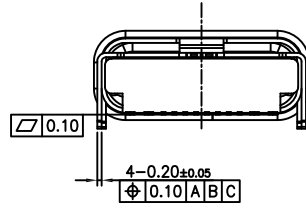
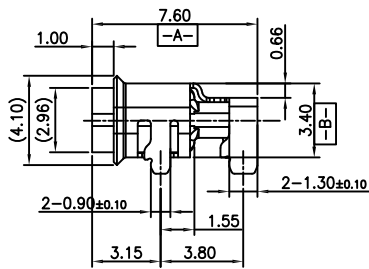
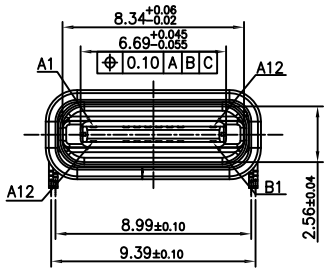
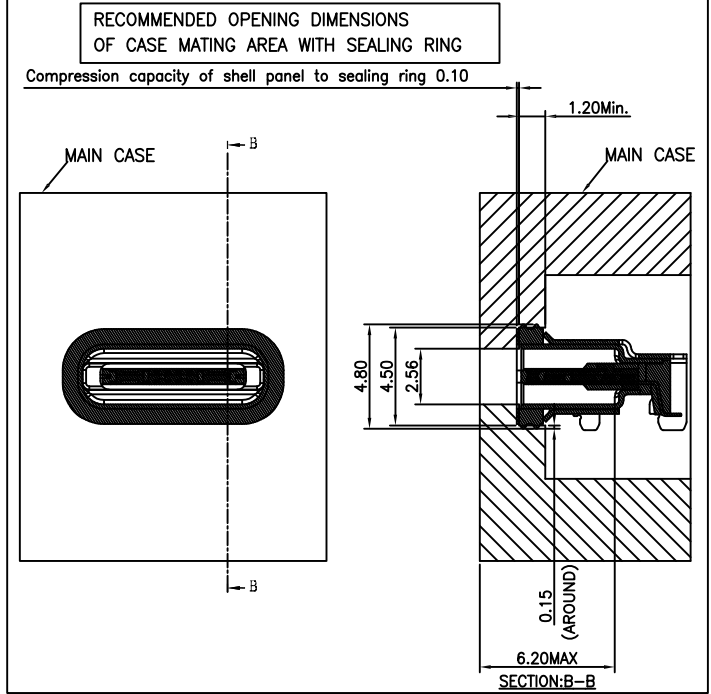
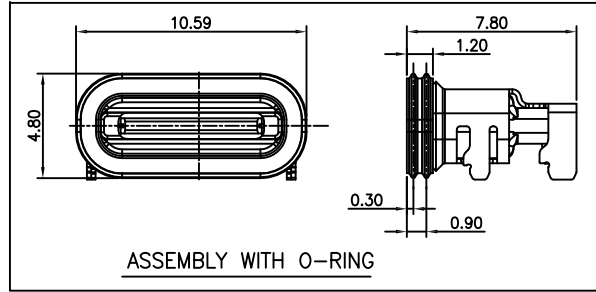
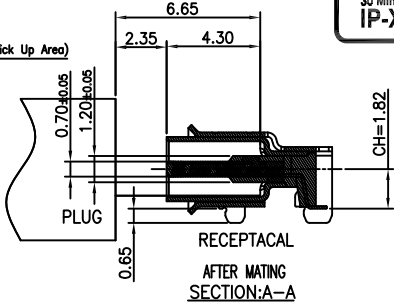
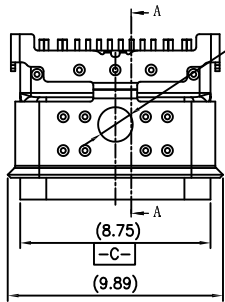




REV	EC No.	DESCRIPTION	Symbol	DATE
A	/	new release	/	Mar. 12, 2018



- NOTES:
- ELECTRICAL CHARACTERISTICS:
 - CONTACT CURRENT RATING:3A
 - CONTACT RATED VOLTAGE:5VDC;
 - CONTACT RESISTANCE:
 - INITIAL: 40mohm Max. AFTER: $\Delta < 10$ mohm
 - INSULATION RESISTANCE:100Mohm Min;
 - WITHSTANDING STRENGTH:100V AC FOR 1 MINUTE;
 - MECHANICAL CHARACTERISTICS:
 - INSERTION FORCE:INITIAL 6-20N ; AFTER 5-20N;
 - EXTRACTION FORCE:INITIAL 8-20N; AFTER 6-20N;
 - DURABILITY:10000 CYCLES
 - RoHS OR HF COMPLIANT
 - ENVIRONMENTAL PERFORMANCE:
 - OPERATING TEMPERATURE:-20°C~+85°C
 - THE PEAK TEMPERATURE ON THE BOARD SHALL MAINTAIN 10±1 SECONDS AT 260±5°C

G	GLUE	1	SILICONE	UL94V-0
F	OUTER SHELL	1	Stainless Steel,T=0.30	OVER ALL:50u"Min Ni UNDERPLATED SOLDER TAIL:5u"AL PLATED
E	INNER SHELL	1	Stainless Steel,T=0.20	CLEAN
D	SOLDER-PLATE	1	Stainless Steel,T=0.10	CLEAN
C	HOUSING	1	High-Temp Plastics	UL94V-0,BLACK
B	MID-PLATE	1	Stainless Steel,T=0.15	OVER ALL:50u"Min Ni PLATED
A	CONTACTS	16	Copper Alloy T=0.12mm	CONTACT AREA: 3u" Au Min SOLDER TAIL: G/FAu OVER ALL: 50u" Ni UNDERPLATED
ITEM	NAME	Q'TY	MATERIAC	FINISH

For more information, please feel free to contact Neal. His email is :connmold@foxmail.com Tel:18922965797

WWW.connmold.COM		<h1>ConnMold</h1>	
DIMENSION UNITS	TOLERANCE		
MM	X±0.50 .XX±0.25 .X±0.35 .XXX±0.15	PART NAME	USB TYPE C 16PIN TOP MOUNT WATERPROOF IP67
DRWN:Robert	Mar. 12, 2018	PART NUMBER	CMWUC661032
CHK'D:Yuri	Mar. 12, 2018	REVISION	A
APPR:Lee	Mar. 12, 2018	CUSTOMER	GENERAL MARKET
THIRD ANGLE PROJECTION	CUSTOMER P/N	SHEET NUMBER	1 OF 2
	/		

A1	A2	A3	A4	A5	A6	A7	A8	A9	A10	A11	A12
GND			Vbus	CC1	D+	D-	SBU1	Vbus			GND
GND			Vbus	SBU2	D-	D+	CC2	Vbus			GND
B12	B11	B10	B9	B8	B7	B6	B5	B4	B3	B2	B1

