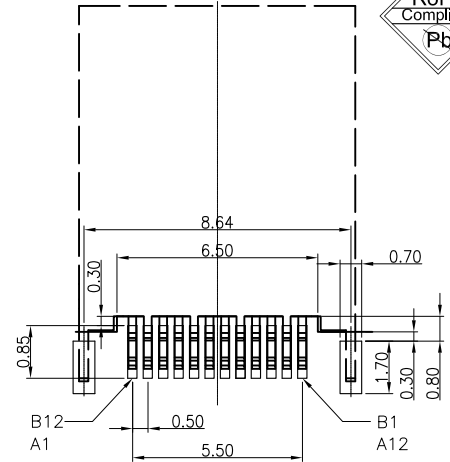
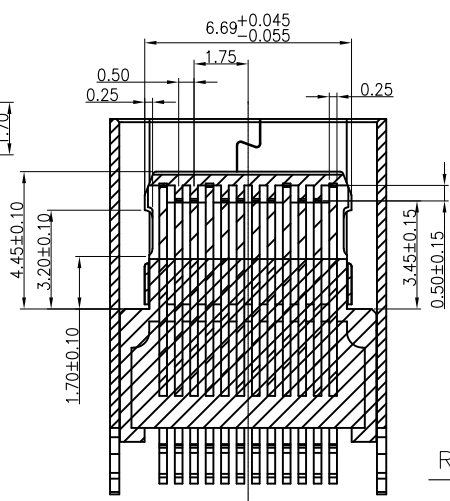
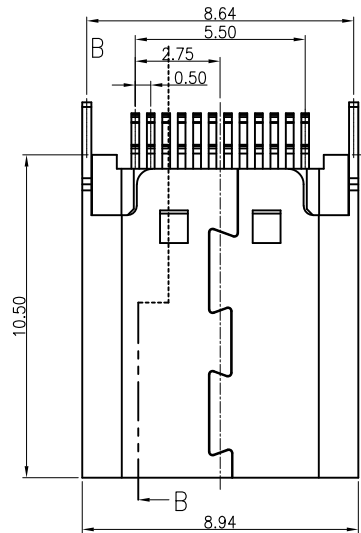
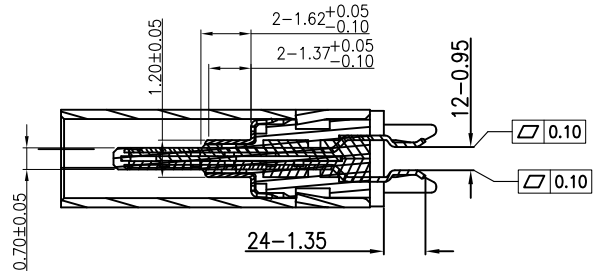
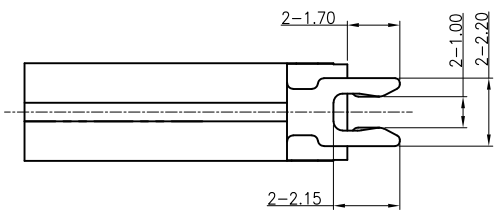
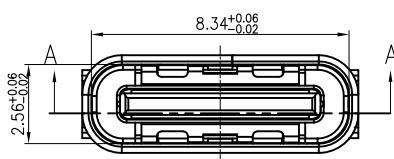


REV	EC No.	DESCRIPTION	Symbol	DATE
A	/	new release	/	Dec. 12, 2020

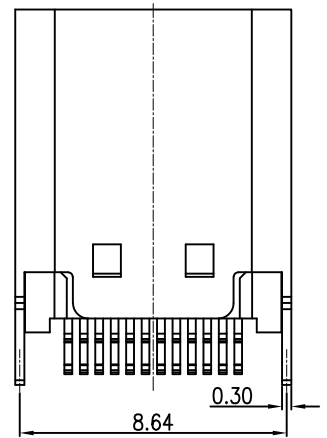


RECOMMENDED P.C.B. LAYOUT (T:1.00mm)
TOLERANCE UNSPECIFIED ±0.05mm

SECTION A-A
SCALE 1:1

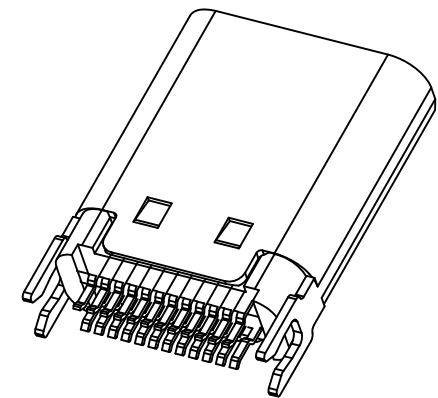


SECTION B-B
SCALE 1:1



NOTES:

- MATERIAL:
MOLDING: LCP UL94 V-0
CONTACT: COPPER ALLOY.
GOLD PLATED 1u" Min ON CONTACT AREA, 80u" Min TIN (LEAD FREE) ON SOLDER AREA,
SHELL: SUS304-H,T=0.30±0.03mm
50u" NICKEL PLATING OVER ALL.
SHILD: SUS301-H,T=0.12±0.03mm
- MECHANICAL:
INSERTION: 5~20N.
EXTRACTION: 8~20N.
DURABILITY: 10000 CYCLES
- ELECTRICAL:
CURRENT: 5A MIN FOR VBUS;
0.25A MIN FOR OTHER.
VOLTAGE: 5VAC MAX
WITHSTANDING VOLTAGE: 100V AC.
CONTACT RESISTANCE: 40mΩ MAX.
INSULATION RESISTANCE: 100MΩ MIN.
- ENVIRONMENTAL
TEMPERATURE RANGE -55°C ~ +85°C



	A	B
1	GND	12 GND
2	SSTxp1	11 SSRxp1
3	SSTxn1	10 SSRxn1
4	VBUS	9 VBUS
5	CC1	8 SBU2
6	Dp1	7 Dn2
7	Dn1	6 Dp2
8	SBU1	5 CC2
9	VBUS	4 VBUS
10	SSRXn2	3 SSTxn2
11	SSRXp2	2 SSTxp2
12	GND	1 GND

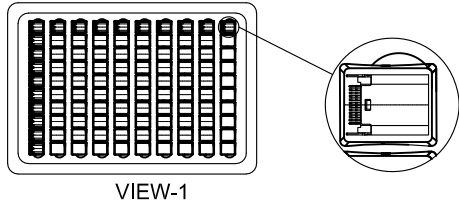
For more information, please help to contact: connmold@foxmail.com Tel.: 18922965797

WWW.CONNMOLD.COM		<h1>ConnMold</h1>	
DIMENSION UNITS	TOLERANCE		
MM	X±0.50 .XX±0.25 .X±0.35 .XXX±0.15	PART NAME USB TYPE C RECEPTACLES FOR PCB 1.00MM	
DRWN: Robert	Dec.12,2020	PART NUMBER CMUCF661017A	
CHK'D: Yuri	Dec.12,2020	REVISION A	
APPR: Linda	Dec.12,2020	CUSTOMER GENERAL MARKET	
THIRD ANGLE PROJECTION	CUSTOMER P/N	SHEET NUMBER 1 OF 2	
	/		

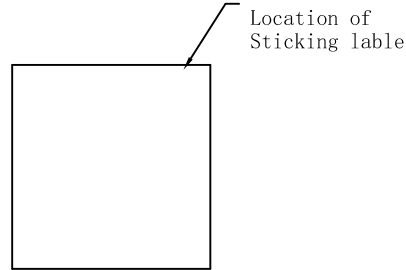


REV	EC No.	DESCRIPTION	Symbol	DATE
A	/	new release	/	Dec. 12, 2020

At same direction, put product onto the tray. Direction refers to below drawing.



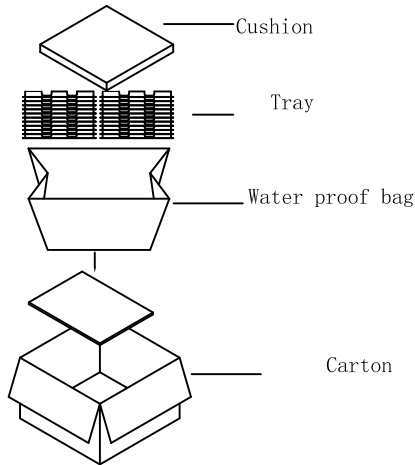
Stick the needful label On the up-right corner of the side of carton.



1) trays per carton, please see next table.

2) The Q'ty of products per carton please see next tabel.

3) Bind the trays with PE tape and then, put them into the poly bag. Seal the carton with tape.



The unfilling-carton must be filled with assuagement.

PACKAGE: TRAY, 100PCS/TRAY, 2000PCS/CARTON

VIEW-2

For more information, please help to contact: connmold@foxmail.com Tel.:18922965797

WWW.connmold.COM		ConnMold	
DIMENSION UNITS	TOLERANCE		
MM	X±0.50 .XX±0.25	PART NAME USB TYPE C RECEPTACLES FOR PCB 1.00MM	
	.X±0.35 .XXX±0.15	REVISION A	
DRWN:Robert	Dec.12,2020	PART NUMBER CMUCF661017A	
CHK'D:Yuri	Dec.12,2020	SHEET NUMBER 2 OF 2	
APPR:Linda	Dec.12,2020	CUSTOMER GENERAL MARKET	
THIRD ANGLE PROJECTION	CUSTOMER P/N	SHEET NUMBER	
	/	2 OF 2	