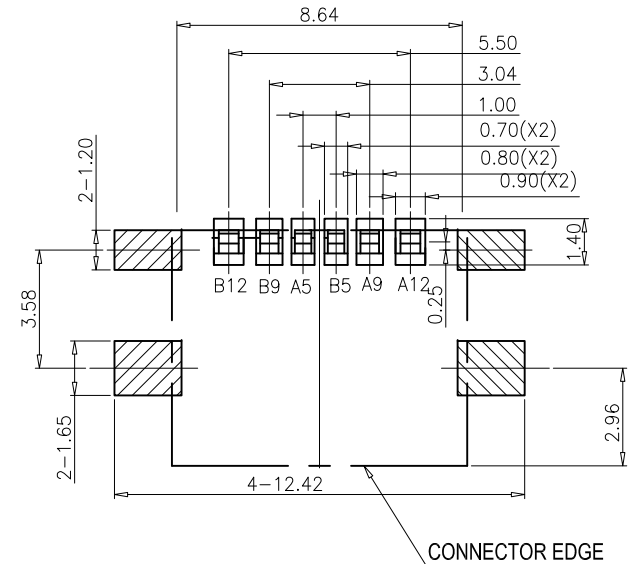
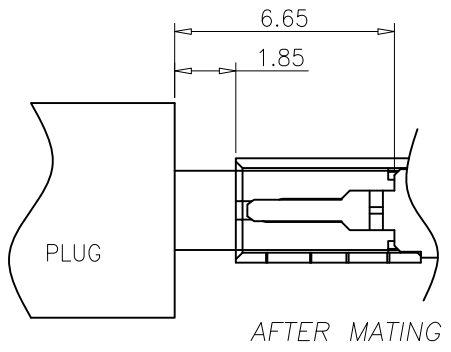




REV	EC No.	DESCRIPTION	Symbol	DATE
A	/	new release	/	Dec. 12, 2020



USB TYPE-C PIN ASSIGNMENTS

PIN NUMBER	SIGNAL NAME	PIN NUMBER	SIGNAL NAME
A12	GND	B12	GND
A9	VBUS	B9	VBUS
A5	CC1	B5	CC2

RECOMMENDED PCB LAYOUT(TOP VIEW)  
THICKNESS 1.6±0.10MM;DEFAULT TOLERANCE:±0.05

For more information, please help to contact: [connmold@foxmail.com](mailto:connmold@foxmail.com) Tel.:18922965797

WWW.connmold.COM		<h1>ConnMold</h1>	
DIMENSION UNITS	TOLERANCE		
MM	X±0.50 .XX±0.25 .X±0.35 .XXX±0.15	PART NAME USB TYPE C RECEPTACLE 6 PIN 6.80MM LENGTH	
DRWN:Robert	Dec.12,2020	PART NUMBER CMUCF661019	
CHK'D:Yuri	Dec.12,2020	REVISION A	
APPR:Linda	Dec.12,2020	SHEET NUMBER 2 OF 3	
THIRD ANGLE PROJECTION	CUSTOMER P/N /	CUSTOMER GENERAL MARKET	