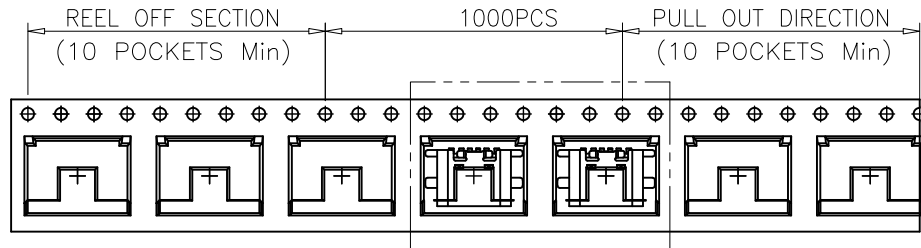
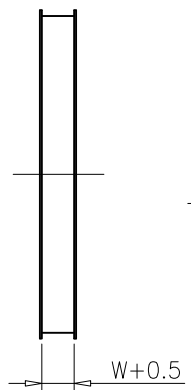
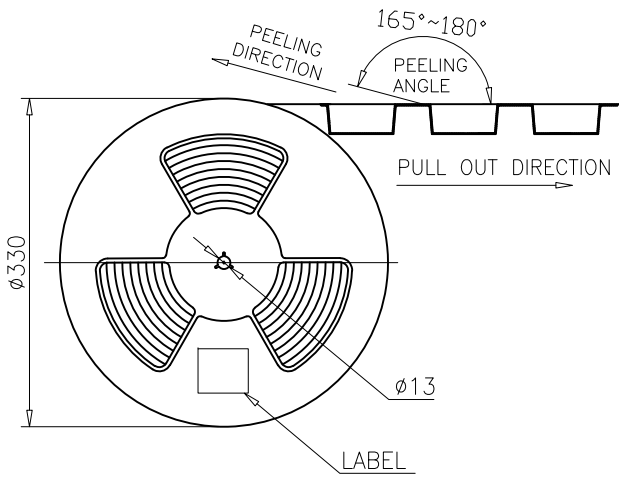


REV	EC No.	DESCRIPTION	Symbol	DATE
A	/	new release	/	Dec. 12, 2020



SEE DETAIL X

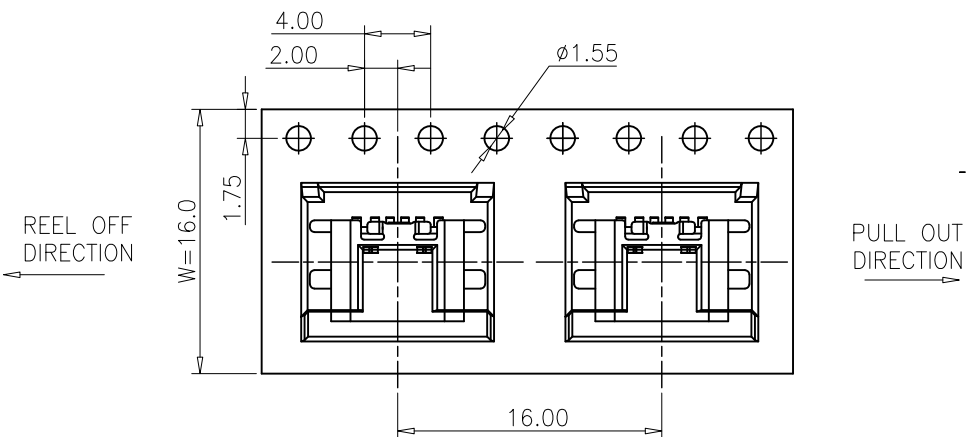
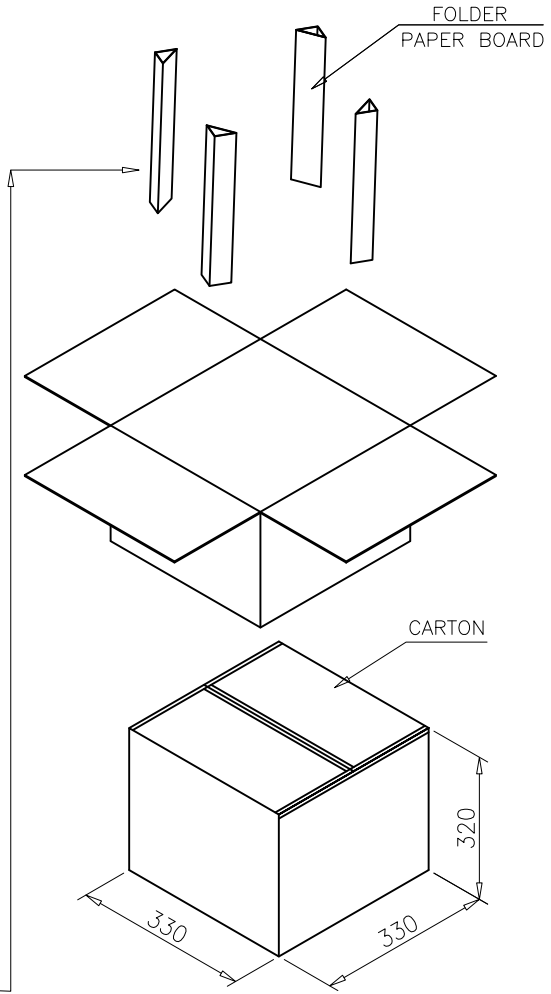


PAPER BOARD

REEL AND TAPE

REEL AND TAPE

PAPER BOARD



DETAIL X(SCALE 1:1)

For more information, please help to contact: connmold@foxmail.com Tel.:18922965797

WWW.connmold.COM		<h1>ConnMold</h1>	
DIMENSION UNITS	TOLERANCE		
MM	X±0.50 .XX±0.25 .X±0.35 .XXX±0.15	PART NAME USB TYPE C RECEPTACLE 6 PIN 6.80MM LENGTH	
DRWN:Robert	Dec.12,2020	PART NUMBER CMUCF661019	
CHK'D:Yuri	Dec.12,2020	REVISION A	
APPR:Linda	Dec.12,2020	SHEET NUMBER 3 OF 3	
THIRD ANGLE PROJECTION	CUSTOMER P/N	CUSTOMER	
	/	GENERAL MARKET	