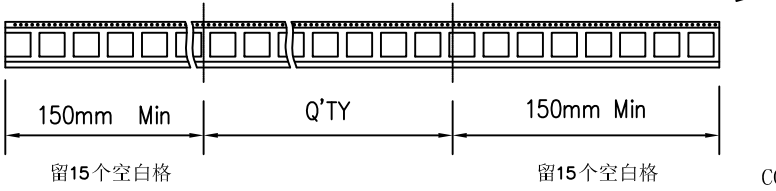
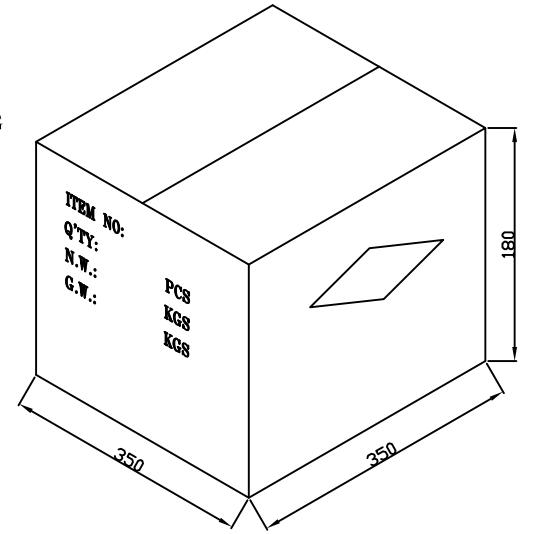
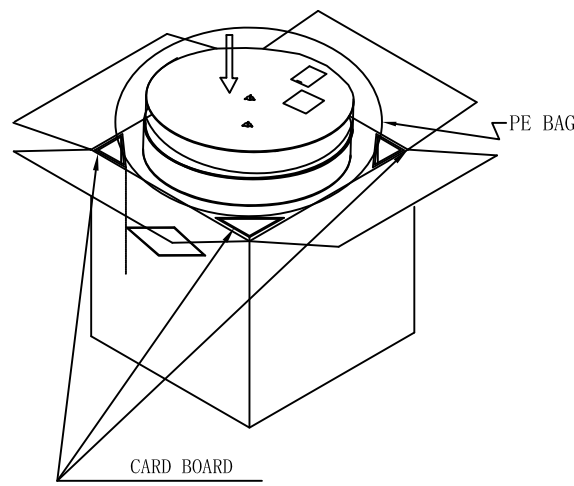
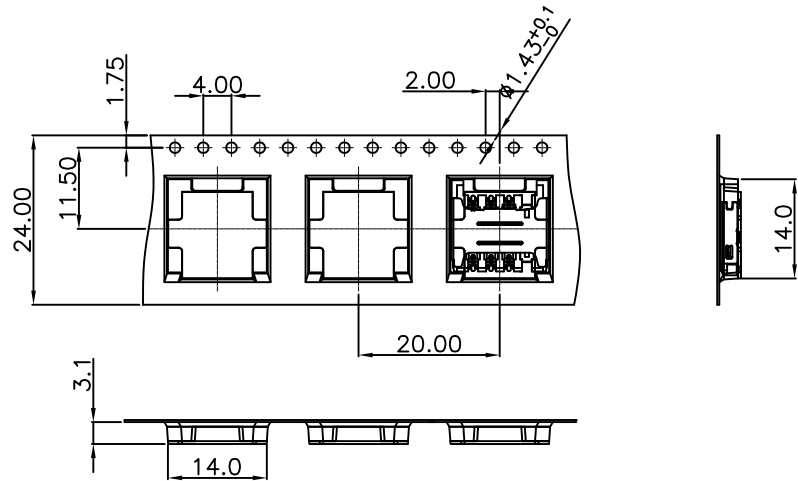
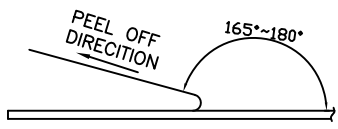


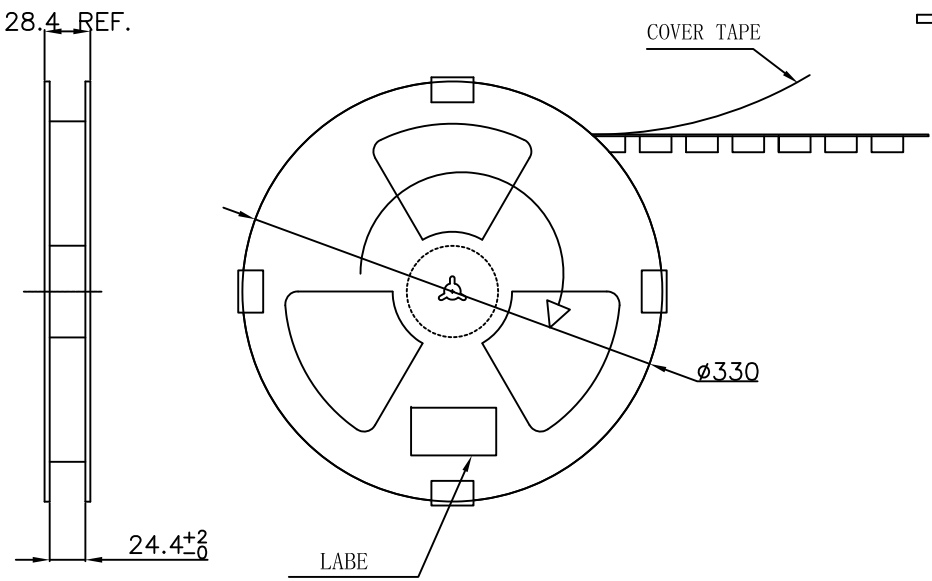
REV	EC No.	DESCRIPTION	Symbol	DATE
A	/	new release	/	Oct. 10, 2019



COVER TAPE PEELING FORCE: 20gf~150gf



- PACKAGE:
1. TAPE REEL PACKAGE
 2. 1000PCS PER REEL
 3. 10000PCS PER CARTON



For more information, please help to contact: connmold@foxmail.com Tel.:18922965797

WWW.connmold.COM		ConnMold	
DIMENSION UNITS	TOLERANCE		
MM	X±0.50 .XX±0.25 .X±0.35 .XXX±0.15	PART NAME	MICRO SIM PUSH PULL 2.40MM HEIGHT
DRWN:Robert	Oct.10,2019	PART NUMBER	CMMSM661008
CHK'D:Yuri	Oct.10,2019	REVISION	A
APPR:Linda	Oct.10,2019	CUSTOMER	GENERAL MARKET
THIRD ANGLE PROJECTION	CUSTOMER P/N	SHEET NUMBER	
	/	2 OF 2	