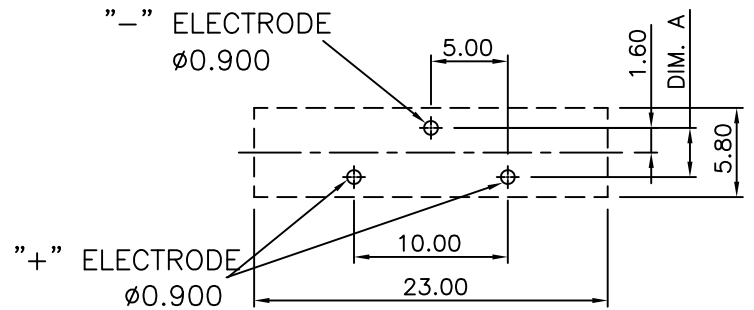
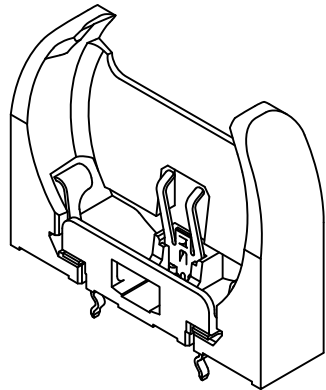
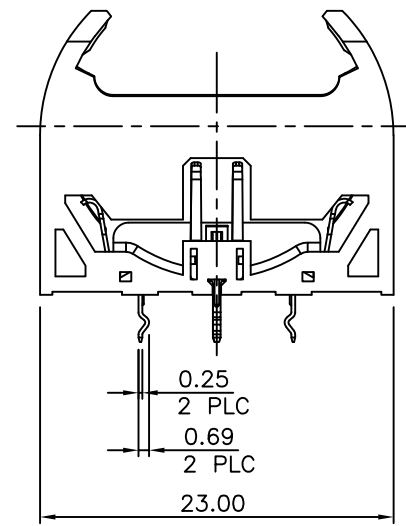
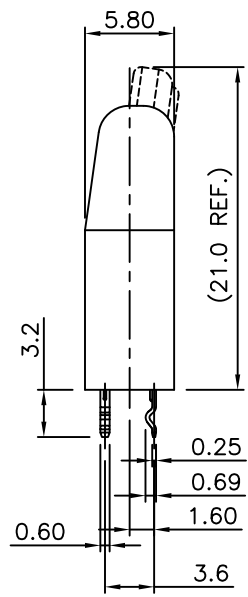
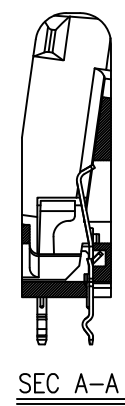
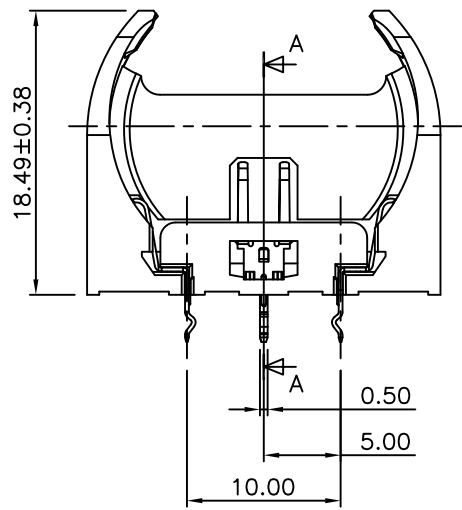




REV	EC No.	DESCRIPTION	Symbol	DATE
A	/	new release	/	Dec. 12, 2020



RECOMMENDED PCB LAYOUT  
TOL. : ±0.05

**NOTES:**

**MATERIAL:**

1. HOUSING: PA66,30%G.F UL94V-0,COLOR: BLACK OR BLUE.
2. CONTACT: SUS304.
3. CONTACT PLATED: GOLD FLASH PLATED ON CONTACT AREA, TIN PLATED ON SOLDER TAILS, NICKEL UNDER PLATED OVER ALL.

**ELECTRICAL CHARACTERISTICS:**

1. CURRENT RATING: 1.5AMP.
2. CONTACT RESISTANCE: 30mΩ MAX.
3. INSULATION RESISTANCE: 1000MΩ MIN AT 500V DC.
4. DIELECTRIC WITHSTANDING VOLTAGE: 750V AC RMS FOR 1 MINUTE.
5. OPERATING TEMPERATURE : -55°C TO +105°C.

For more information, please help to contact: [connmold@foxmail.com](mailto:connmold@foxmail.com) Tel.:18922965797

WWW.CONNMOLD.COM		ConnMold	
DIMENSION UNITS TOLERANCE			
MM	X±0.50 .XX±0.25 .X±0.35 .XXX±0.15	PART NAME BATTERY HOLDER 3.60 3.20 VERTICAL	
DRWN:Robert	Dec.12,2020	PART NUMBER	
CHK'D:Yuri	Dec.12,2020	CMD CZ661012	
APPR:Linda	Dec.12,2020	REVISION	
THIRD ANGLE PROJECTION		CUSTOMER	
		GENERAL MARKET	
CUSTOMER P/N		SHEET NUMBER	
/		1 OF 1	