

6

5

4

3

2

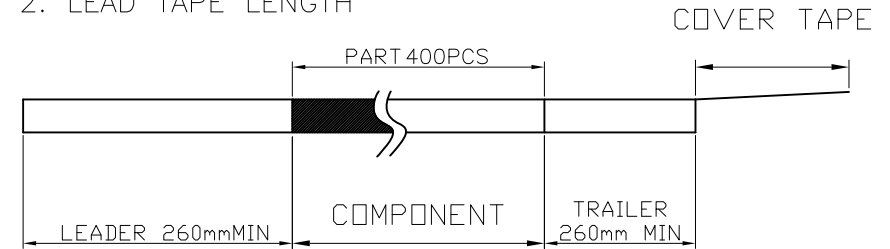
1



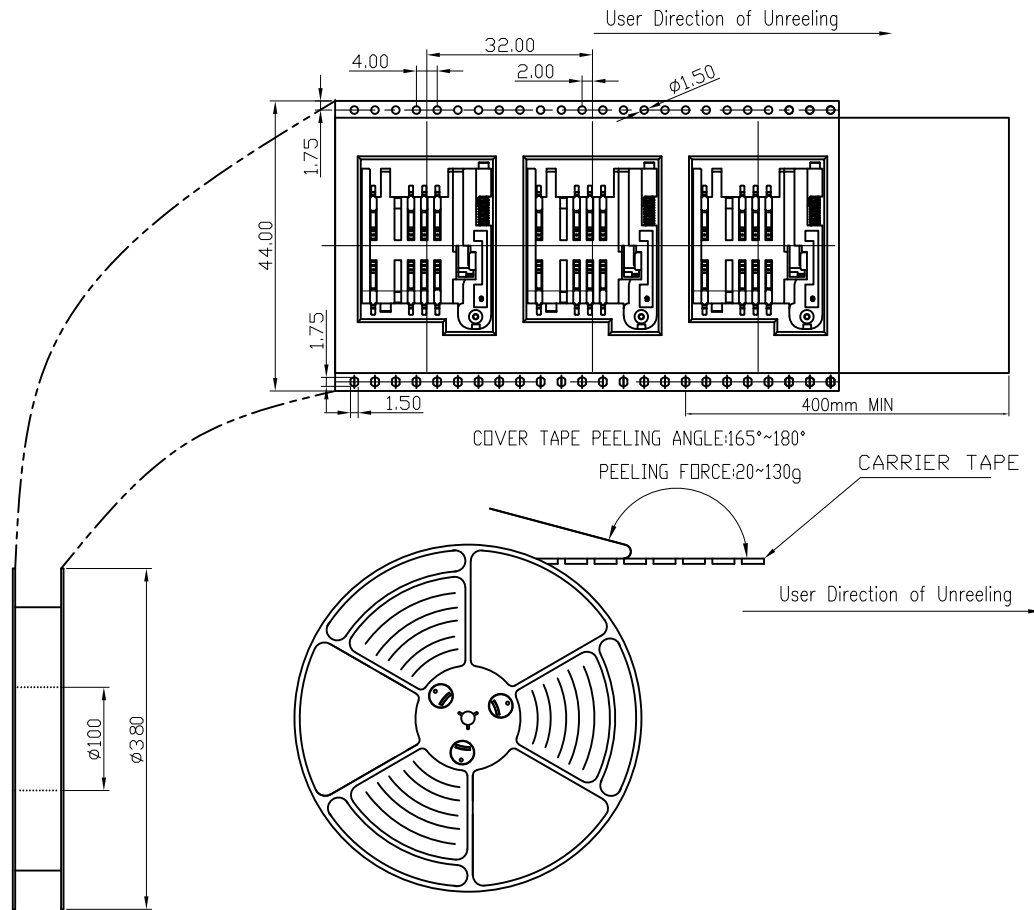
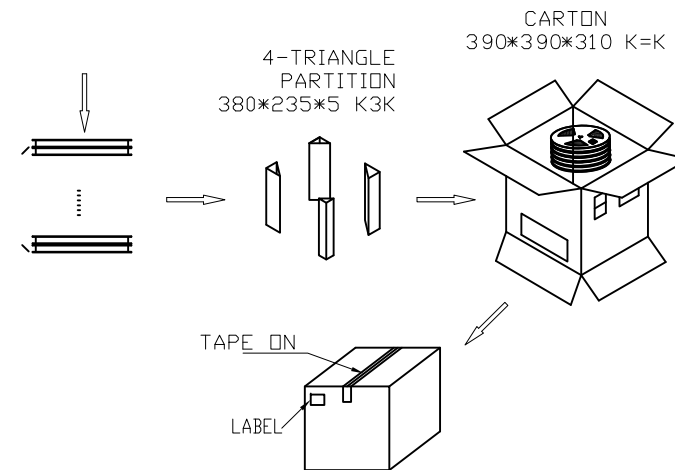
REV	EC No.	DESCRIPTION	Symbol	DATE
A	/	new release	/	Dec. 12, 2020

NOTES

1. NUMBER OF CONNECTORS:400PCS/REEL
2. LEAD TAPE LENGTH



3. QUANTITY:2400pcs /CARTON,



for more information, please help to contact: oonmold@foxmail.com , Tel.: 18922965797

WWW.connmold.COM		<h1>ConnMold</h1>	
DIMENSION UNITS	TOLERANCE		
MM	X±0.50 .XX±0.25 .X±0.35 .XXX±0.15	YELLOW BUTTON WITH POSITIONING	
DRWN:Robert	Dec.12,2020	PART NUMBER	CMSIM661005B
CHK'D:Yuri	Dec.12,2020	REVISION	A
APPR:Linda	Dec.12,2020	CUSTOMER	GENERAL MARKET
THIRD ANGLE PROJECTION	CUSTOMER P/N	SHEET NUMBER	
	/	3 OF 3	

6

5

4

3

2

1