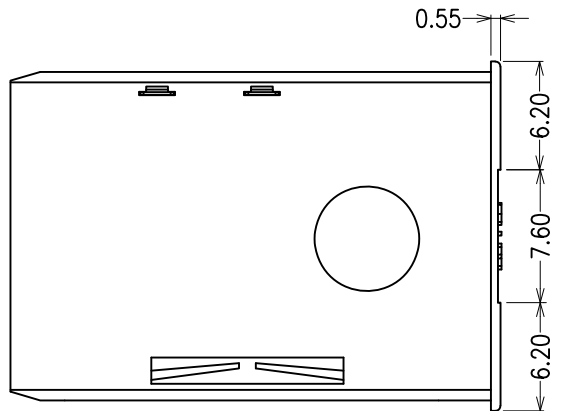
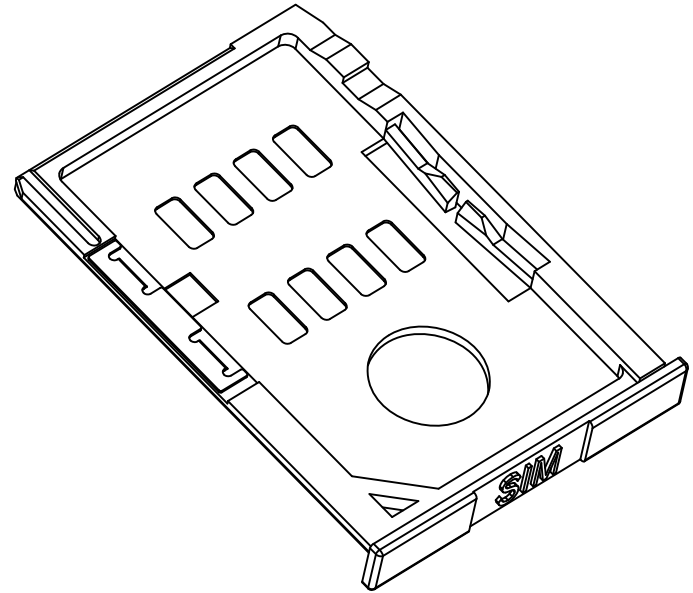
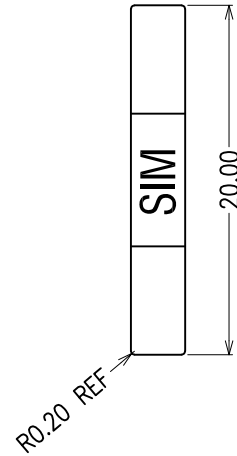
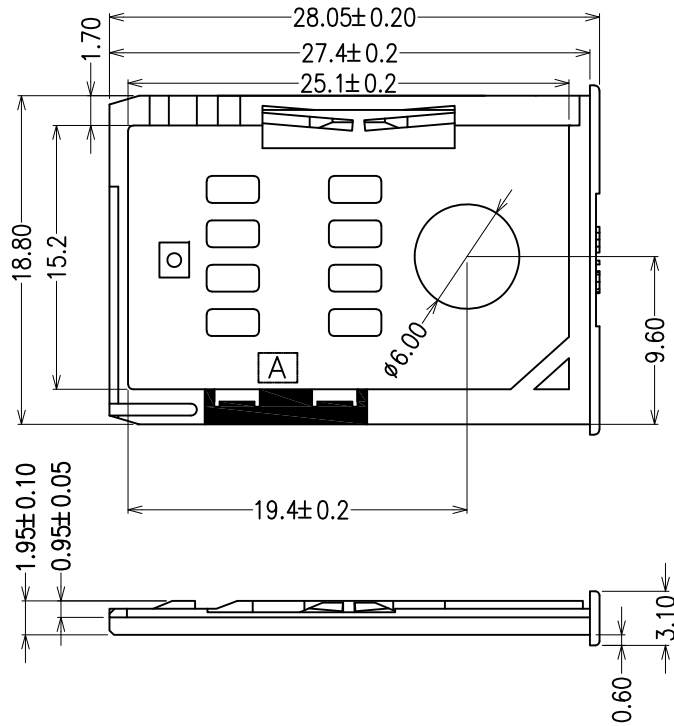
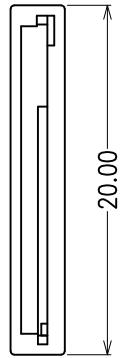




REV	EC No.	DESCRIPTION	Symbol	DATE
A	/	new release	/	Dec. 12, 2020



SPECIFICATION:

1.MATERIAL:

- 1.1 HOUSING:PC UL94V-0
 - 1.2 TERMINAL:COPPER ALLOY
- 2.PLATED**
 TERMINAL:1u" Au PLATED ON CONTACT AREA

For more information, please help to contact: connmold@foxmail.com Tel.:18922965797			
WWW.connmold.COM		ConnMold	
DIMENSION UNITS	TOLERANCE	PART NAME	
MM	X±0.50 .XX±0.25	Tray for SIM PLASTIC TYPE 3.00H	
	.X±0.35 .XXX±0.15		
DRWN:Robert	Dec.12,2020	PART NUMBER	REVISION
CHK'D:Yuri	Dec.12,2020	CMSIM661005BT	A
APPR:Linda	Dec.12,2020		
THIRD ANGLE PROJECTION	CUSTOMER P/N	CUSTOMER	SHEET NUMBER
	/	GENERAL MARKET	1 OF 2

6

5

4

3

2

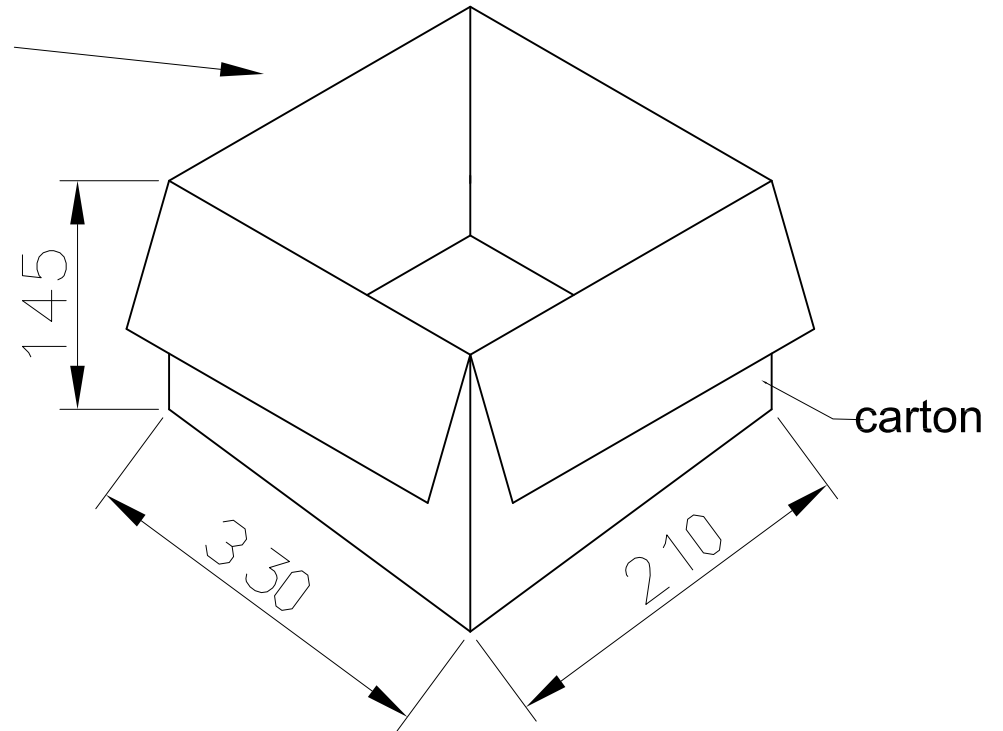
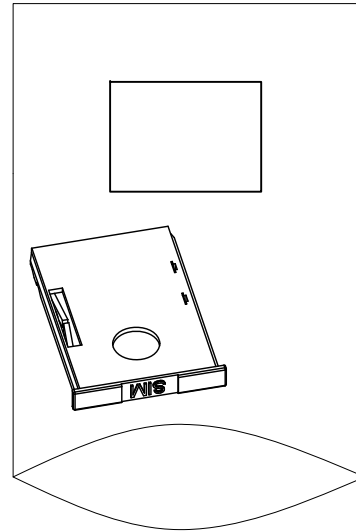
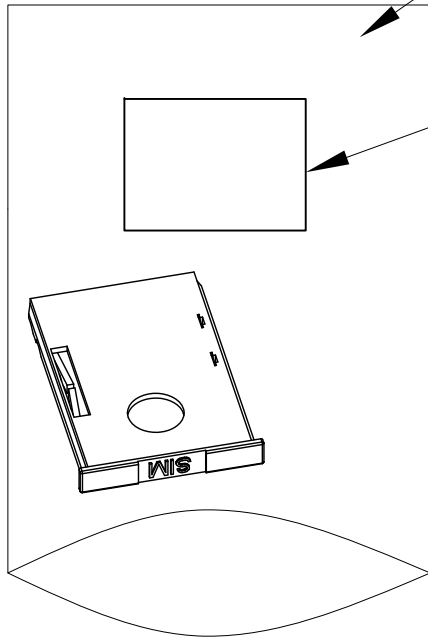
1



REV	EC No.	DESCRIPTION	Symbol	DATE
A	/	new release	/	Dec. 12, 2020

PE bag

Label



carton

Package for Tray
100PCS/bag
2400PCS/carton

For more information, please help to contact: connmold@foxmail.com Tel.:18922965797

WWW.connmold.COM		ConnMold	
DIMENSION UNITS	TOLERANCE		
MM	X±0.50 .XX±0.25 .X±0.35 .XXX±0.15	PART NAME Tray for SIM PLASTIC TYPE 3.00H	
DRWN:Robert	Dec.12,2020	PART NUMBER	
CHK'D:Yuri	Dec.12,2020	CMSIM661005BT	
APPR:Linda	Dec.12,2020	REVISION	
THIRD ANGLE PROJECTION		CUSTOMER	
		GENERAL MARKET	
CUSTOMER P/N		SHEET NUMBER	
/		2 OF 2	

6

5

4

3

2

1