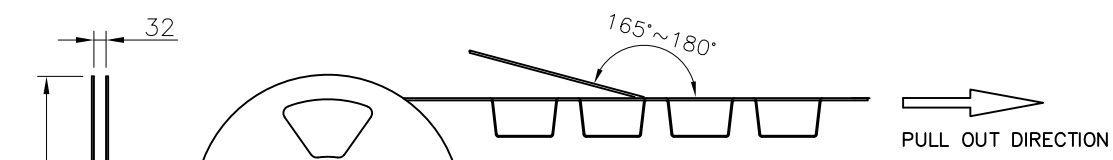
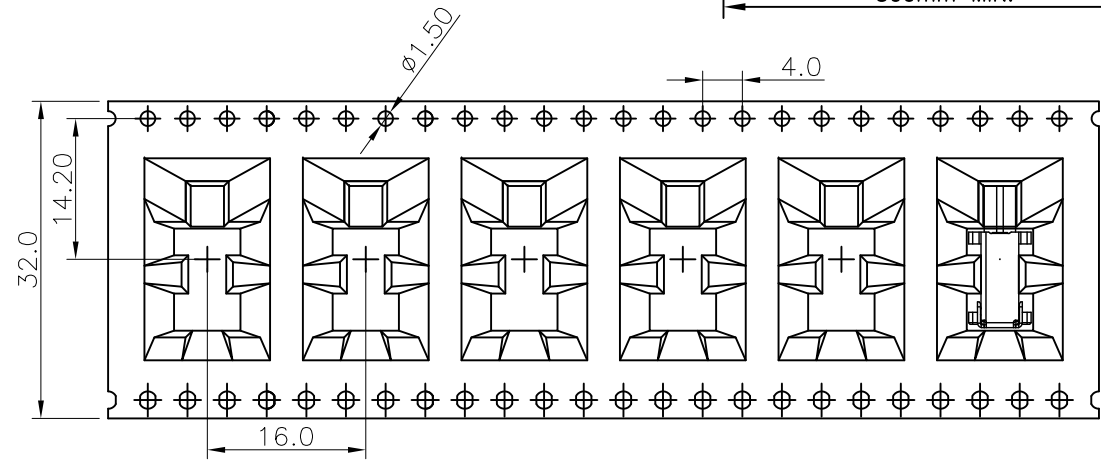
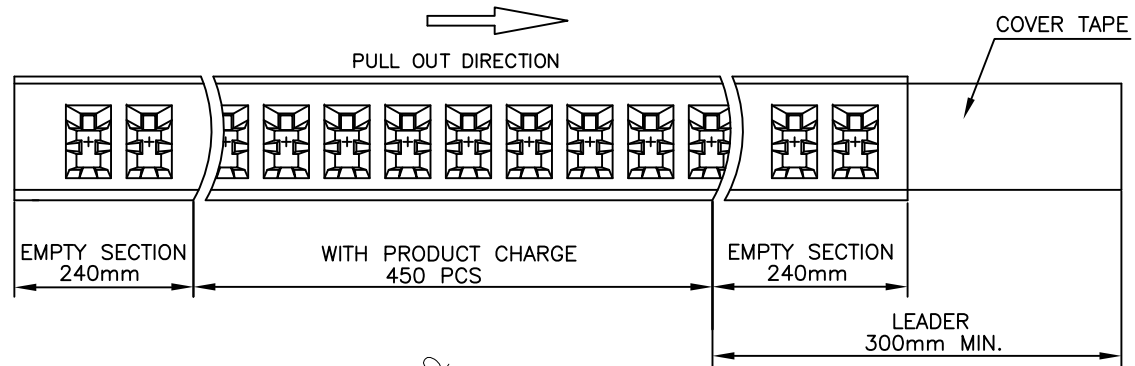
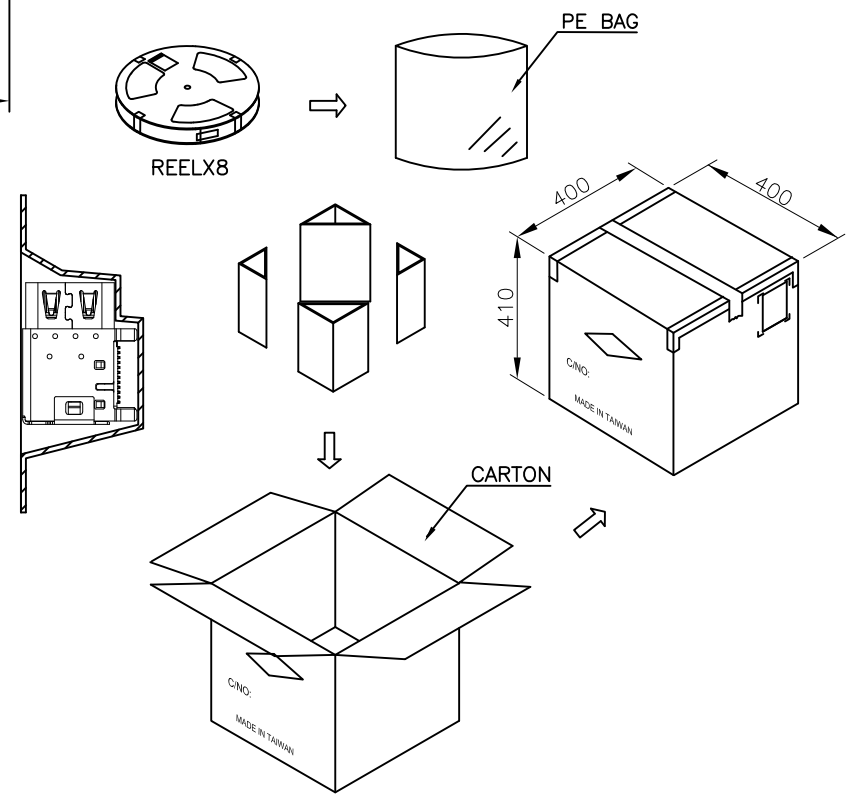


REV	EC No.	DESCRIPTION	Symbol	DATE
A	/	new release	/	Dec. 12, 2020



PACKAGE

1. SIZE :
 REEL : $\phi 380 \times 32$ mm
 CARTON : $400 \times 400 \times 410$ mm (LxWxH)
2. QUANTITY :
 450 PCS / REEL
 8 REEL / CARTON = 3,600 PCS



For more information, please help to contact: connmold@foxmail.com				Tel.: 18922965797	
WWW.CONNMOLD.COM					
DIMENSION UNITS		TOLERANCE		<h1>ConnMold</h1>	
MM		$X \pm 0.50$ $.XX \pm 0.25$ $.X \pm 0.35$ $.XXX \pm 0.15$			
PART NAME				USB TYPE C RECEPTACLES 10G TYPE	
DRWN: Robert				Dec. 12, 2020	
CHK'D: Yuri				Dec. 12, 2020	
APPR: Linda				Dec. 12, 2020	
THIRD ANGLE PROJECTION		CUSTOMER P/N		CUSTOMER	
		/		GENERAL MARKET	
PART NUMBER				REVISION	
CMUCF661027				A	
SHEET NUMBER				2 OF 2	