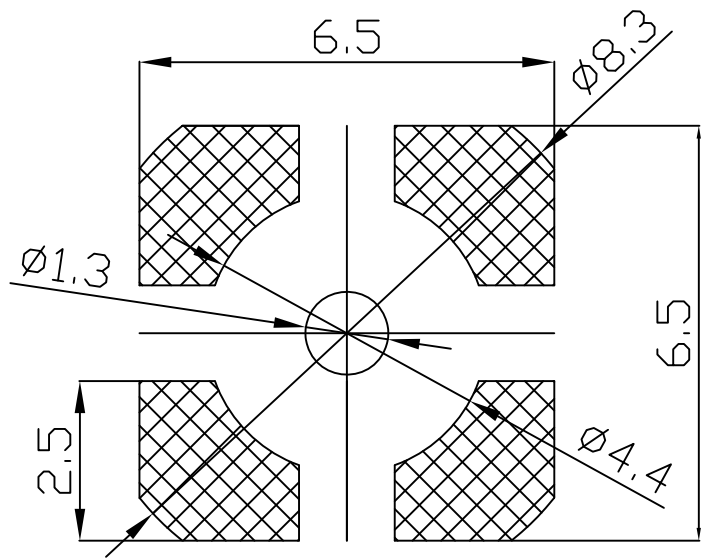
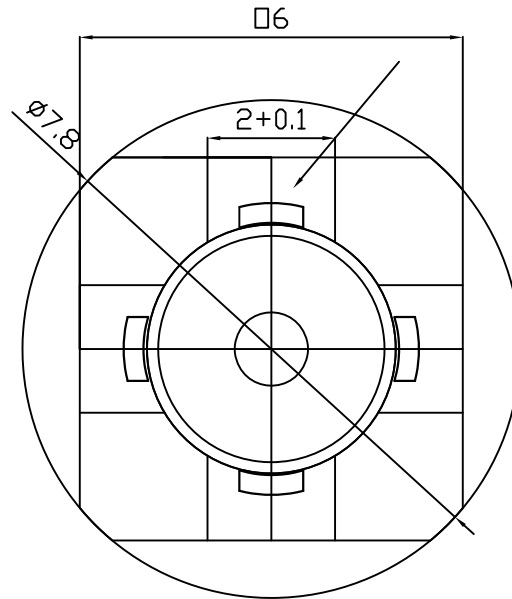
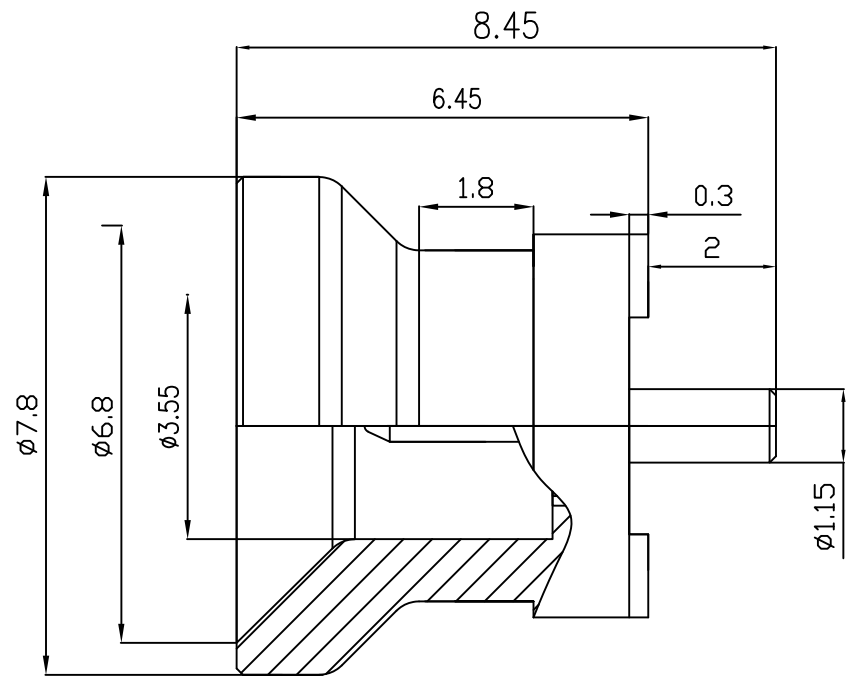


REV	EC No.	DESCRIPTION	Symbol	DATE
A	/	new release	/	July 15, 2023



Recommended P.C.B Layout
P.C.B Board Tolerance±0.05

Note:
 1.Material:
 Insulator: PEEK
 Pin: Copper alloy, Au plated
 Shell: copper alloy , Au plated
 2.Electrical:
 Impedance:50Ω
 Frequency range: DC-6 GHz
 VSR:@DC -3 GHz
 Insulator Resistance:5 GΩ min
 3.Mechanical:
 Mating cycles:50 cycles
 Temperature Range:-55°C~+125°C

For more information, please feel free to contact Neal. His email is :connmold@foxmail.com Tel:18922965797

WWW.connmold.COM		ConnMold	
DIMENSION UNITS	TOLERANCE		
MM	X±0.50 .XX±0.25 .X±0.35 .XXX±0.15	PART NAME	
DRWN:Robert	Jul. 15, 2023	SMP HD-EFI PLUG SMOOTH BORE	
CHK'D:Yuri	Jul. 15, 2023	PART NUMBER	REVISION
APPR:Lee	Jul. 15, 2023	CMRFA661012B	A
THIRD ANGLE PROJECTION	CUSTOMER P/N	CUSTOMER	SHEET NUMBER
	/	GENERAL MARKET	1 OF 1