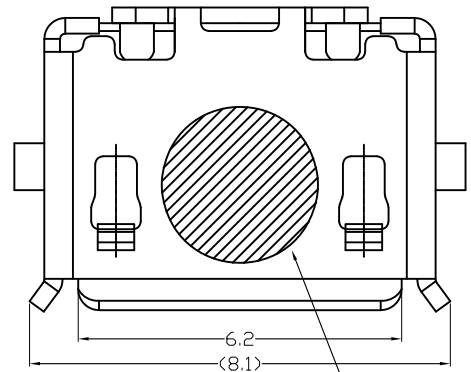


REV	EC No.	DESCRIPTION	Symbol	DATE
A	/	new release	/	Oct.12, 2021



pick & place area

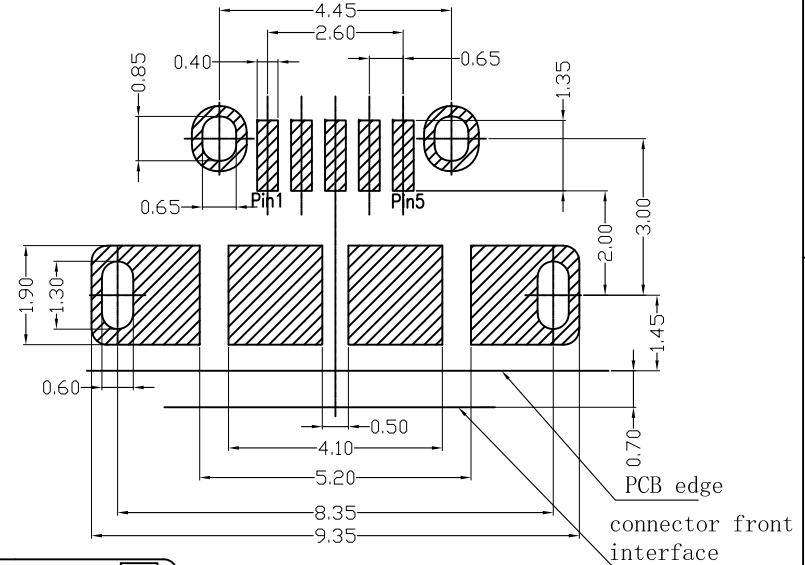
Note:

1. Spec.:

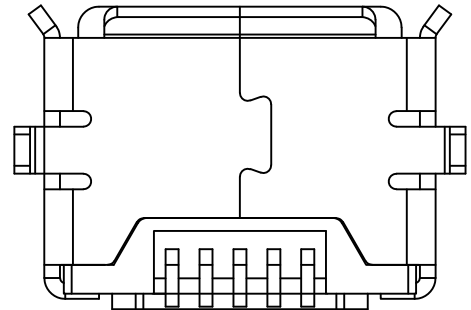
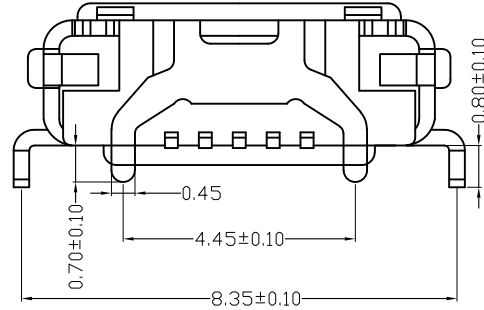
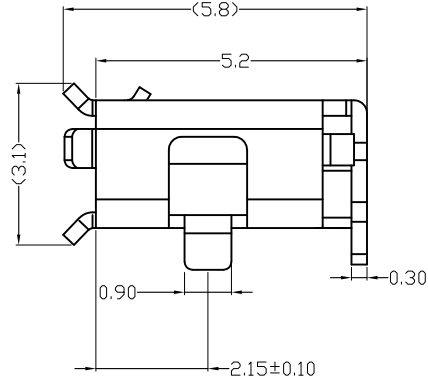
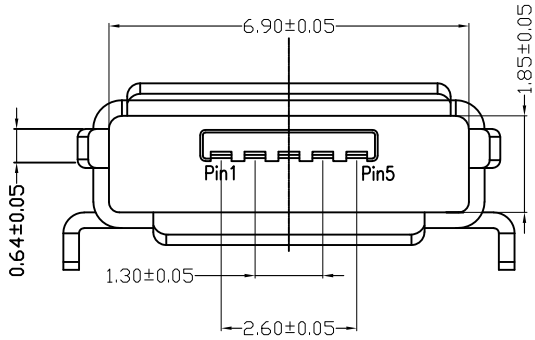
- 1-1. Insertion force: 35N MAX.
- 1-2. Extraction force: 10N MIN. INITIAL 8-20N AFTER 5000 CYCLES
- 1-3. Current rating: 1.0A
- 1-4. Rating Voltage : 30V
- 1-5. Durability: 5000 CYCLES MIN.
- 1-6. Withstanding voltage: 100V AC MIN.
- 1-7. Contact resistance: 40mΩ MAX. INITIAL;
- 1-8. Insulation resistance: 100MΩ MIN;
- 1-9. Storage temperature: -40° TO +85°

2. Material:

- 2.1. Housing: Thermoplastic UL94V-0
  - 2.2. Terminal: copper alloy, underplated nickel, 1μ" Au
  - 2.3. Shell: stainless steel
3. Package: tape reel, 1500PCS/Reel



RECOMMENDED PCB LAYOUT  
TOL. : ±0.05



MICRO USB B TYPE PIN ASSIGNMENTS

Contact Number	Signal Name	Remarks
Pin1	VBUS	Power
Pin2	D-	Date-
Pin3	D+	Date+
Pin4	ID	Reserve or Gound
Pin5	GND	Gound

For more information, please help to contact: connmold@foxmail.com. Tel.: 18922965797

WWW.CONNMOLD.COM		<h1>ConnMold</h1>	
DIMENSION UNITS	TOLERANCE		
MM	X±0.50 .XX±0.25 .X±0.35 .XXX±0.15	PART NAME micro usb AB type SMT R/A type	
DRWN:Robert	Oct.12,2021	PART NUMBER	
CHK'D:Yuri	Oct.12,2021	CMMCF661036B	
APPR:Linda	Oct.12,2021	REVISION	
THIRD ANGLE PROJECTION		CUSTOMER	
		GENERAL MARKET	
CUSTOMER P/N		SHEET NUMBER	
/		1 OF 1	