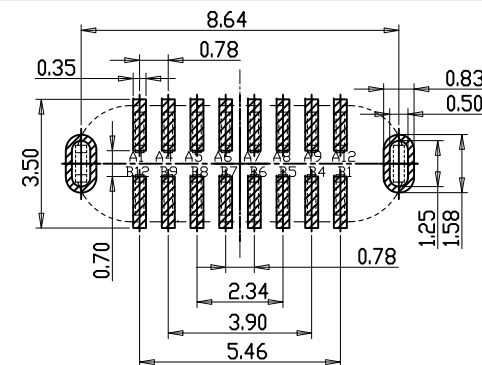
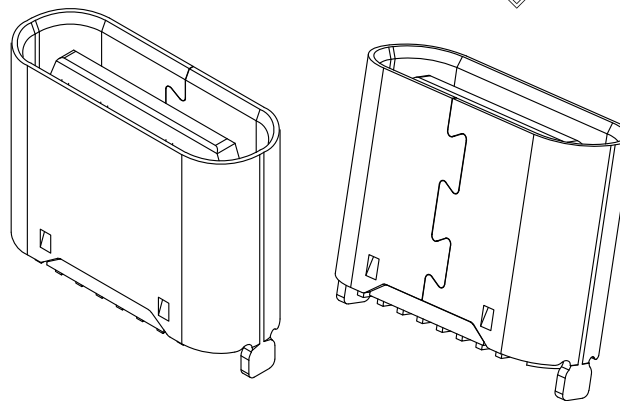
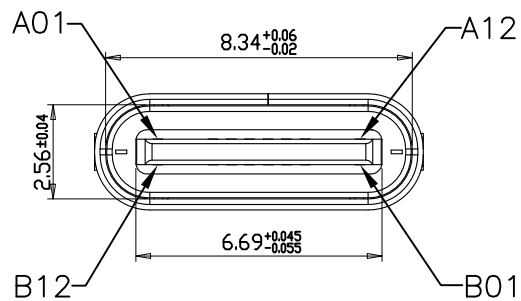
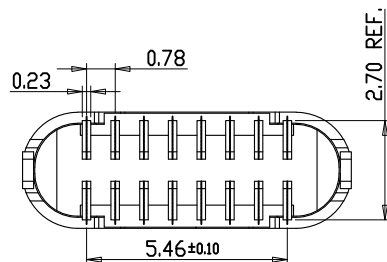
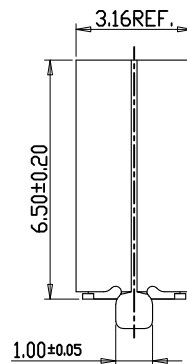
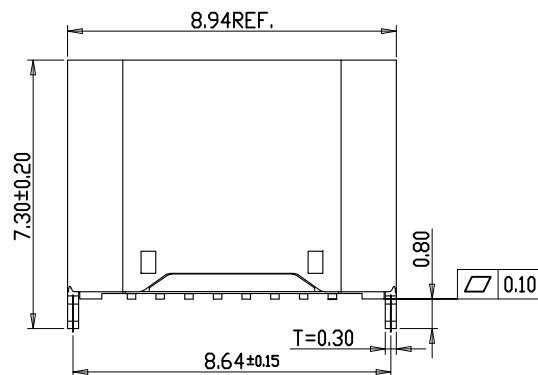


REV	EC No.	DESCRIPTION	Symbol	DATE
A	/	new release	/	Dec. 12, 2020



RECOMMENDED P.C.B. LAYOUT  
TOLERANCE UNSPECIFIED ±0.05mm

5A CURRENT



A1	GND	B12	GND
A4	VBUS	B9	VBUS
A5	CC1	B8	SBU2
A6	D+	B7	D-
A7	D-	B6	D+
A8	SBU1	B5	CC2
A9	VBUS	B4	VBUS
A12	GND	B1	GND
PIN	SIGNAL NAME	PIN	SIGNAL NAME

For more information, please help to contact: [connmold@foxmail.com](mailto:connmold@foxmail.com)

Tel.:18922965797

www.connmold.com		<h1>ConnMold</h1>	
DIMENSION UNITS	TOLERANCE		
MM	X±0.50 .XX±0.25 .X±0.35 .XXX±0.15	PART NAME	USB TYPE C RECEPTACLES 16 PIN VERTICAL 6.50MM
DRWN:Robert	Dec. 12, 2020	PART NUMBER	CMUCF661014B
CHK'D:Yuri	Dec. 12, 2020	REVISION	A
APPR:Linda	Dec. 12, 2020	CUSTOMER	GENERAL MARKET
THIRD ANGLE PROJECTION	CUSTOMER P/N	CUSTOMER	SHEET NUMBER
	/	GENERAL MARKET	1 OF 2